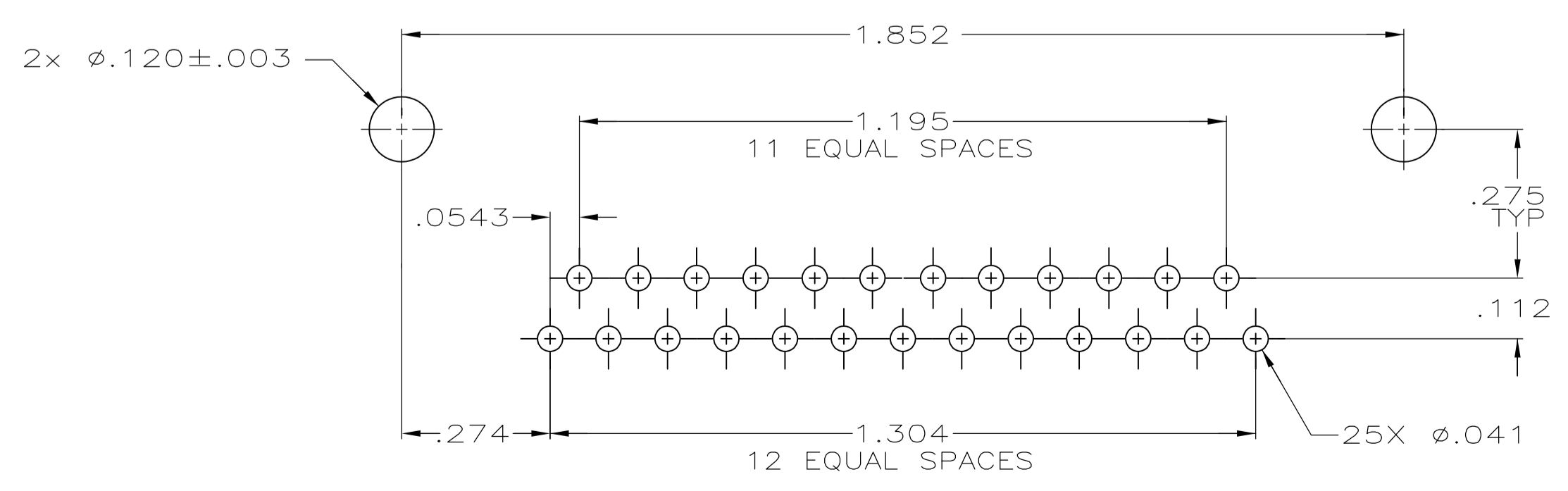
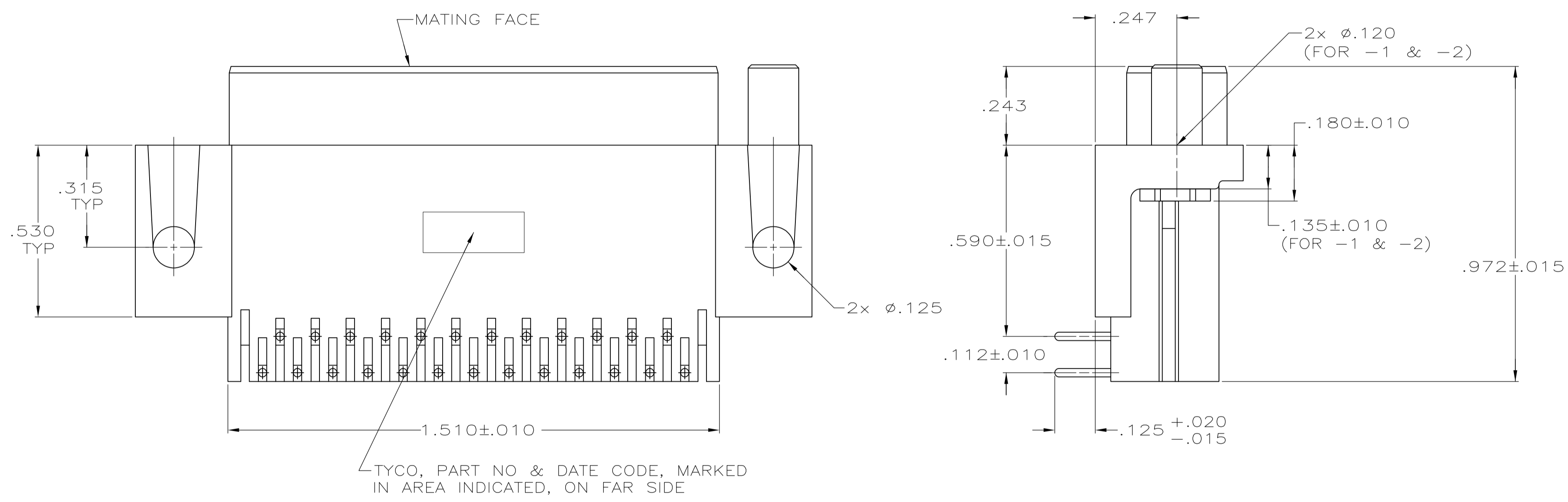


- 1 HOUSING: FLAME RETARDANT, 94V-0 RATED, GLASS FILLED, NYLON OR POLYESTER, COLOR: BLACK
- 2 CONTACTS: PHOS BRONZE. INSERTS & SCREWLOCKS: ZINC.
- 3 REFER TO APPLICATION SPEC FOR RECOMMENDED P.C. BOARD MOUNTING DIMENSIONS FOR AUTOMATIC INSERTION.
- 4 CONTACTS: SEE TABLE
- 5 INSERTS & SCREWLOCKS: CLEAR CHROMATE COATING.
- 6 PLATED WITH GOLD FLASH FOR LENGTH OF .055 MIN FROM MATING END, .000100 MIN TIN ON SOLDER END, ALL OVER .000050 MIN NICKEL ON ENTIRE CONTACT.
- 7 PLATED WITH .000030 MIN GOLD FOR LENGTH OF .055 MIN FROM MATING END, .000100 MIN TIN SOLDER END, ALL OVER .000050 MIN NICKEL ON ENTIRE CONTACT.



WITH SCREWLOCKS	5	5747461-6
WITH SCREWLOCKS	4	5747461-5
WITH INSERTS	5	5747461-4
WITH INSERTS	4	5747461-3
WITH .120 DIA HOLE	5	5747461-2
WITH .120 DIA HOLE	4	5747461-1
REMARKS	FINISH	PART NUMBER

**COPYRIGHT 2005
TE CONNECTIVITY CORP
ALL RIGHTS RESERVED**

THIS DRAWING IS A CONTROLLED DOCUMENT.		DIN G. PETERS 16SEP05	TE Connectivity	
DIMENSIONS: INCHES		CHK S. BOLASH 16SEP05	NAME	
TOLERANCES UNLESS OTHERWISE SPECIFIED:		APP'D M. WALMSLEY 16SEP05	PRODUCT SPEC	
0 PLC ± -	1 PLC ± -	108-40025		
2 PLC ± -	3 PLC ± .005	APPLICATION SPEC		
4 PLC ± -	ANGLES ± ± °	SIZE	CAGE CODE	DRAWING NO
MATERIAL	FINISH	114-40015	A1	00779
CUSTOMER DRAWING		SCALE 4:1	SHEET 1 of 1	REV P